

House Service Cut Outs Single Pole Combined Neutral and Earth (CNE)

60/80A rated
100A rated



Overview and presentation

- Devices accepting BS 1361 cylindrical cartridge fuses having combined Neutral and Earth blocks generally fitted at the origin of the installation



Shown with optional cable cover



Features

- Two incoming and outgoing Phase and Neutral terminations which accept up to 35mm² conductors in either copper or aluminium, stranded or solid
- Silver plated Phase terminal contact block
- Serrated bores on Phase/Neutral terminal contact blocks with two M8 hexagon drive screws per conductor
- Earth / Timer connections on N/E block accept up to 25mm² conductors
- Safety interlocked mouldings. N/E cover moulding cannot be removed until fuse carrier has been withdrawn
- Sealing wire facility
- Blanking plugs for unused cable entries provided
- Reversible mounting
- Accessories available include cable cover, cable chamber and busbar extensions

Note: The equipment described on this data sheet must be installed by suitably qualified personnel according to applicable Local/ National Wiring regulations currently in force.



House Service Cut Outs Single Pole Combined Neutral and Earth (CNE) 60/80A rated 100A



Construction

- Body, base and cover.....Glass re-inforced polyester DMC in RAL 7035 colour
- Terminal blocks.... Brass (silver plated on Phase)



Fuse characteristics

- 60/80A57 x 22mm Type IIa BS 1361
- 100A57 x 30mm Type IIb BS 1361

Note: Different combinations of fuse cut outs can be ganged to create a range of Triple pole variants with corresponding accessories



Performance

- Rated voltage..... 240/415V a.c.
- Max rated current.....100A
- Supply frequency..... 50-60Hz
- Flammability rating..... UL VO, self-extinguishing 30 seconds at 960 degrees C
- Recommended terminal torque.....2.25Nm
- Fuse short circuit rating.....33kA at 0.3pf



Conformity to Standards

- Conforms to BS 7657:1993
- Accepts fuse links in accordance with BS 1361:1991

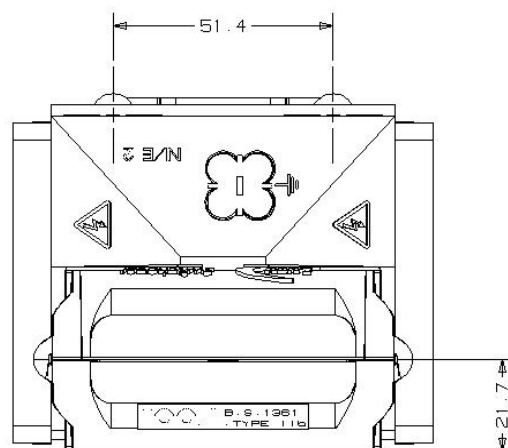
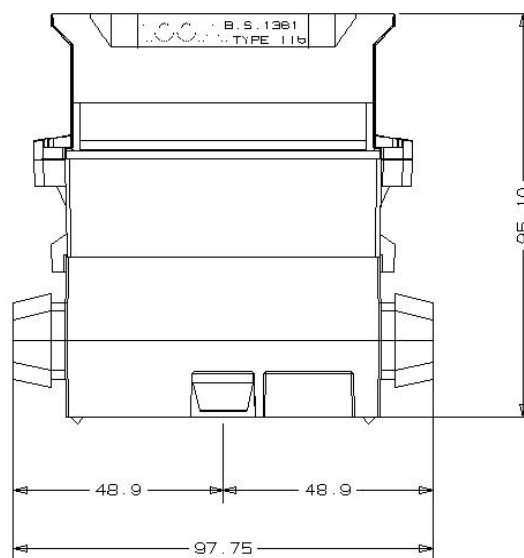
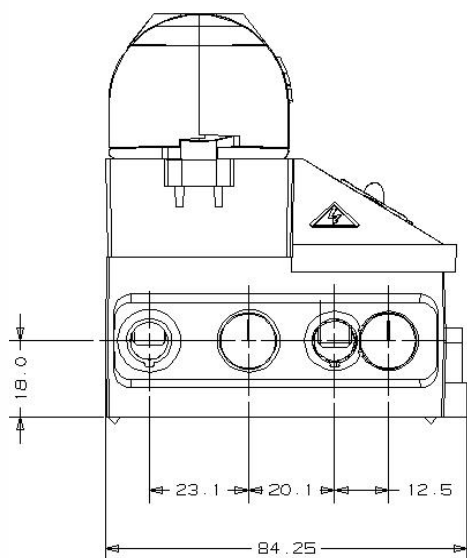


Weights and dimensions

- Height98mm
- Width85mm
- Depth96mm
- Weight (excluding fuse).....0.73kgs

House Service Cut Outs
Single Pole Combined Neutral and Earth (CNE)
 60/80A rated
 100A rated

General arrangement and dimensions



Disclaimer

Lucy Switchgear has a policy of continuous research and development and accordingly reserves the right to change the design and specifications of its products without prior notice or liability.

Lucy Switchgear

Howland Road, Thame,
 Oxfordshire, OX9 3UJ, UK
Tel: +44 (0) 1844 267267
 Fax: +44 (0) 1844 267223
 Email: sales@lucyswitchgear.com

Lucy Middle East

PO Box 17335, Jebel Ali,
 Dubai, United Arab Emirates
Tel: +9714 883 2110
 Fax: +9714 883 2113
 Email: sales@lucyme.ae

The Saudi Lucy Company Ltd

PO Box 834, Al-Khobar,
 31952, Saudi Arabia
Tel: +966 3 8823057
 Fax: +966 3 8822553
 Email: info@saudilucy.com

